

PST141 Inclinometer

Feature

Single-axis	Operating temp.: -40~85 C
Output : 0,5~4.5V DC	Anti-electromagnetism interference
Fully sealed, IP67 protection	Anti-power disturbances

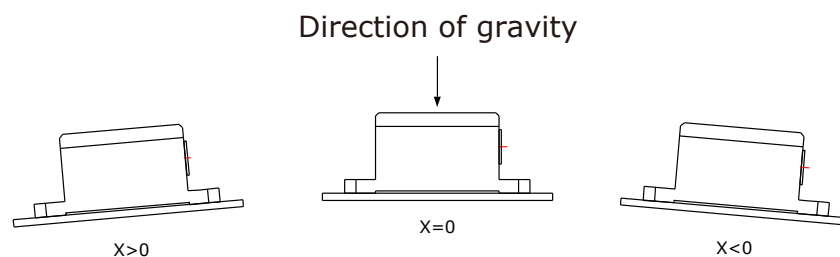
PST141series inclinometer is a high-performance, firm angle measuring alarm equipment, which is designed for low cost application in engineering machine industry. Except satisfy the common application requirement, this type inclinometer adopt kinds of procedure to ensure the reliability and stability, as automotive level MCU, PCB with special protective treatment, tensile cables, automated testing before leave factory, high precision aluminum alloy housing and so on. PST141 series evolves from higher accuracy product-- PST200 series. It has better manufacturing process, test process and mass production ability.



PST141 series is a single-axis alarm inclinometer with 0.5~4.5VDC output. You can choose connector or pigtail. PST141 series inclinometer can direct connect with vehicle battery or other no-regulated supply. It can also be compatible with PLC or data acquisition device, because its very low output impedance, and it allows voltage signal transmit longer distance without distortion.

Application field

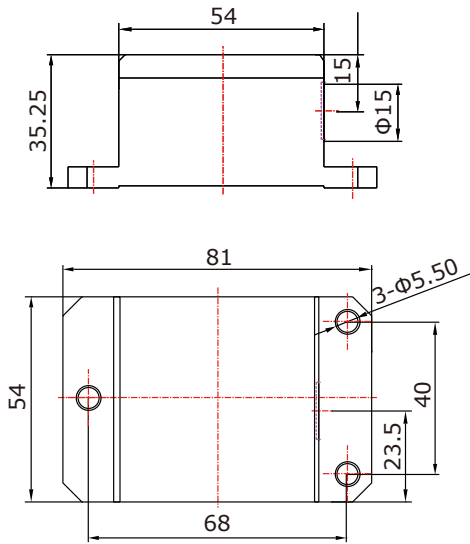
Mine Machine、 Food machine、 Construction machinery、 Farm machine、 Factory automation、 Transport machinery、 Medical facilities



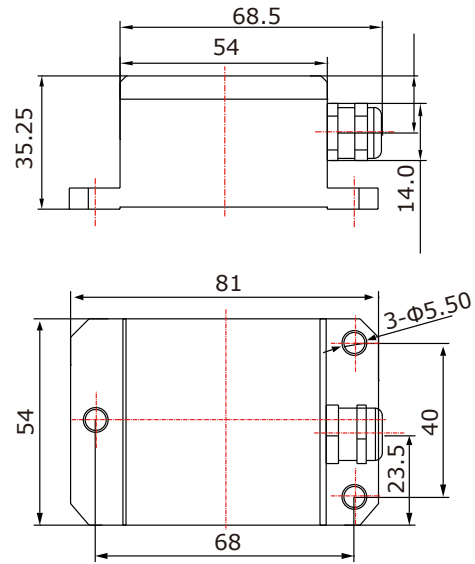
Specifications (Ambient 25 °C, unless specified)

Product Type	PST141-5	PST141-10	PST141-15	PST141-30	PST141-45	PST141-60	PST141-90
Range	±5°	±10°	±15°	±30°	±45°	±60°	±90°
Accuracy (max)	±0.1°	±0.1°	±0.1°	±0.1°	±0.15°	±0.15°	±0.15°
Resolution	0.01°	0.01°	0.01°	0.01°	0.02°	0.02°	0.02°
Temp. Drift Coefficient	≤100 ppm/ °C	≤100 ppm/ °C	≤100 ppm/ °C	≤85 ppm/ °C	≤85 ppm/ °C	≤100 ppm/ °C	≤50 ppm/ °C
Axis	Single-axis						
Response Time	0.3s						
Cross-Axis Error	±0.3%FS						
Output Signal	0~5VDC						
Output Impedance	<100Ω						
Insulation Resistance	100M Ω						
EMC	CE Standard						
Power Supply	9~36VDC (no-regulated)						
Consumption Current	≤100mA						
Power Rejection Ratio	>85dB						
Operating Temp.	-40~85°C						
Refresh Rate	5Hz (optional 10Hz, 20Hz)						
Protection Class	IP65/IP67						
Connection	Pigtail (optional Binder 712 connector) 2meters cable						
Housing Material	Hard anodized aluminium alloy						
Cable	7 pins PVVC shielded cable						
Dimensions	81x54x35.25mm						
Shock	100g, 11ms, 3-axis (Standard: GB6587.4-86)						
Vibration	8g rms, 20~2000Hz (Standard: GB6587.5-86)						
Weight	240g(Except cable and connector)						
Optional:Temperature Compensation Accuracy							
@-10~65 °C	±0.2°			±0.3°			
@-40~85 °C							

Dimensions (mm)



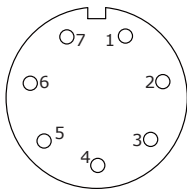
Binder 712 connector



Pigtail connector

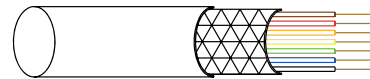
Wirings

Binder 712 connector



Pinning	
Pin	Function
1	Power+
2	Power GND/Signal GND
3	NC
4	V _{out} +
5	NC
6	NC
7	NC

Pigtail connector



Pinning	
Color	Function
Red	Power+
Black	Power GND/Signal GND
Green	NC
Yellow	V _{out} +
White	NC
Blue	NC
Brown	NC

Model	Range	Accuracy@25	Lead wire	Axis
PST141-5	$\pm 5^\circ$	$\pm 0.1^\circ$	Metal pigtail connector	1
			Binder™ 712 connector	
PST141-10	$\pm 10^\circ$	$\pm 0.1^\circ$	Metal pigtail connector	1
			Binder™ 712 connector	
PST141-15	$\pm 15^\circ$	$\pm 0.1^\circ$	Metal pigtail connector	1
			Binder™ 712 connector	
PST141-30	$\pm 30^\circ$	$\pm 0.1^\circ$	Metal pigtail connector	1
			Binder™ 712 connector	
PST141-45	$\pm 45^\circ$	$\pm 0.15^\circ$	Metal pigtail connector	1
			Binder™ 712 connector	
PST141-60	$\pm 60^\circ$	$\pm 0.15^\circ$	Metal pigtail connector	1
			Binder™ 712 connector	
PST141-90	$\pm 90^\circ$	$\pm 0.15^\circ$	Metal pigtail connector	1
			Binder™ 712 connector	

Ordering Code:

PST141-xx-P Pigtail cable 2m

PST141-xx-BC Binder connector with 2 m cable



We are here for you. Addresses and Contacts

Sales Switzerland & Liechtenstein

Matthias Rüegg
Ruhbergstrasse 32
CH-9230 Flawil

Phone +41 44 877 35 18
Mobile+41 76 491 66 66
Fax +41 44 877 35 19

matthias.rueegg@pewatron.com

Sales International Key Accounts

Peter Felder
Thurgauerstrasse 66
CH-8052 Zürich

Phone +41 44 877 35 05
Mobile+41 79 406 49 83
Fax +41 44 877 35 25

peter.felder@pewatron.com

Sales Germany

Postcode 00000–59999
Postcode 80000–99999

Kurt Stritzelberger
Neumarkter Str. 86a
D-81673 Munich

Phone +49 89 260 38 47
Mobile+49 171 803 41 35
Fax +49 89 43 10 91 91

kurt.stritzelberger@pewatron.com

Postcode 60000–79999

Dieter Hirthe
Auf der Entenweide 4
69502 Hemsbach

Tel. +49 6201 508 9250
Mobil +49 1637 627 430
Fax +49 6201 508 9751

dieter.hirthe@pewatron.com

Sales Austria

Kurt Stritzelberger
Neumarkter Str. 86a
D-81673 Munich

Phone +49 89 260 38 47
Mobile+49 17 18 03 41 35
Fax +49 89 43 10 91 91

kurt.stritzelberger@pewatron.com

Sales Other Countries / Product Management

Sensors

Physical Sensors
Data Acquisition

Thomas Clausen
Phone +41 44 877 35 13
thomas.clausen@pewatron.com

Geometrical Sensors

Eric Letsch
Phone +41 44 877 35 14
eric.letsch@pewatron.com

Power Supplies

DC-DC Converters
Switching Power Supplies
DC-AC Inverters

Sebastiano Leggio
Phone +41 44 877 35 06
sebastiano.leggio@pewatron.com

E-Components

Current Sensors
Man Machine Interface
Measurement Probes

Sebastiano Leggio
Phone +41 44 877 35 06
sebastiano.leggio@pewatron.com

PEWATRON AG
Thurgauerstrasse 66
CH-8052 Zurich

Phone +41 44 877 35 00
Fax +41 44 877 35 25

www.pewatron.com
info@pewatron.com